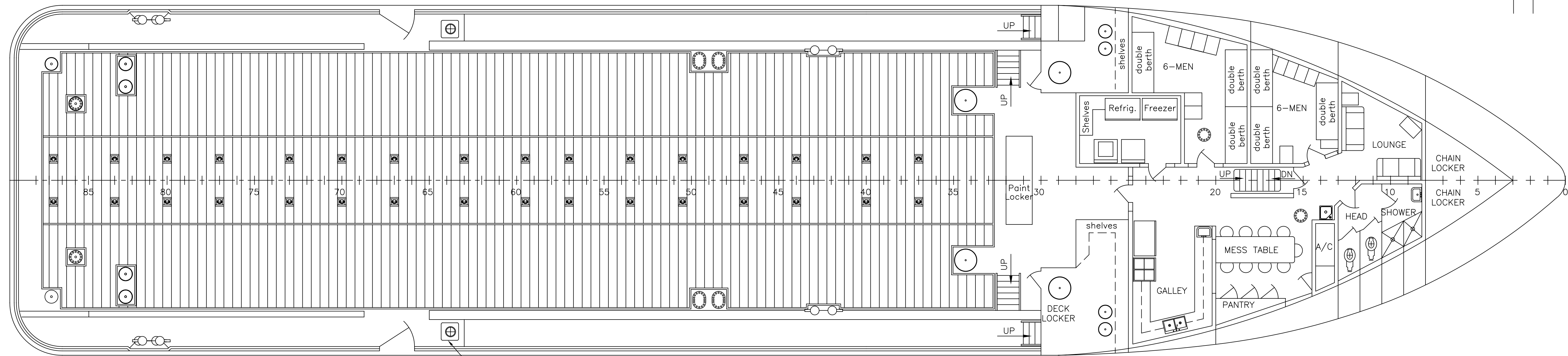
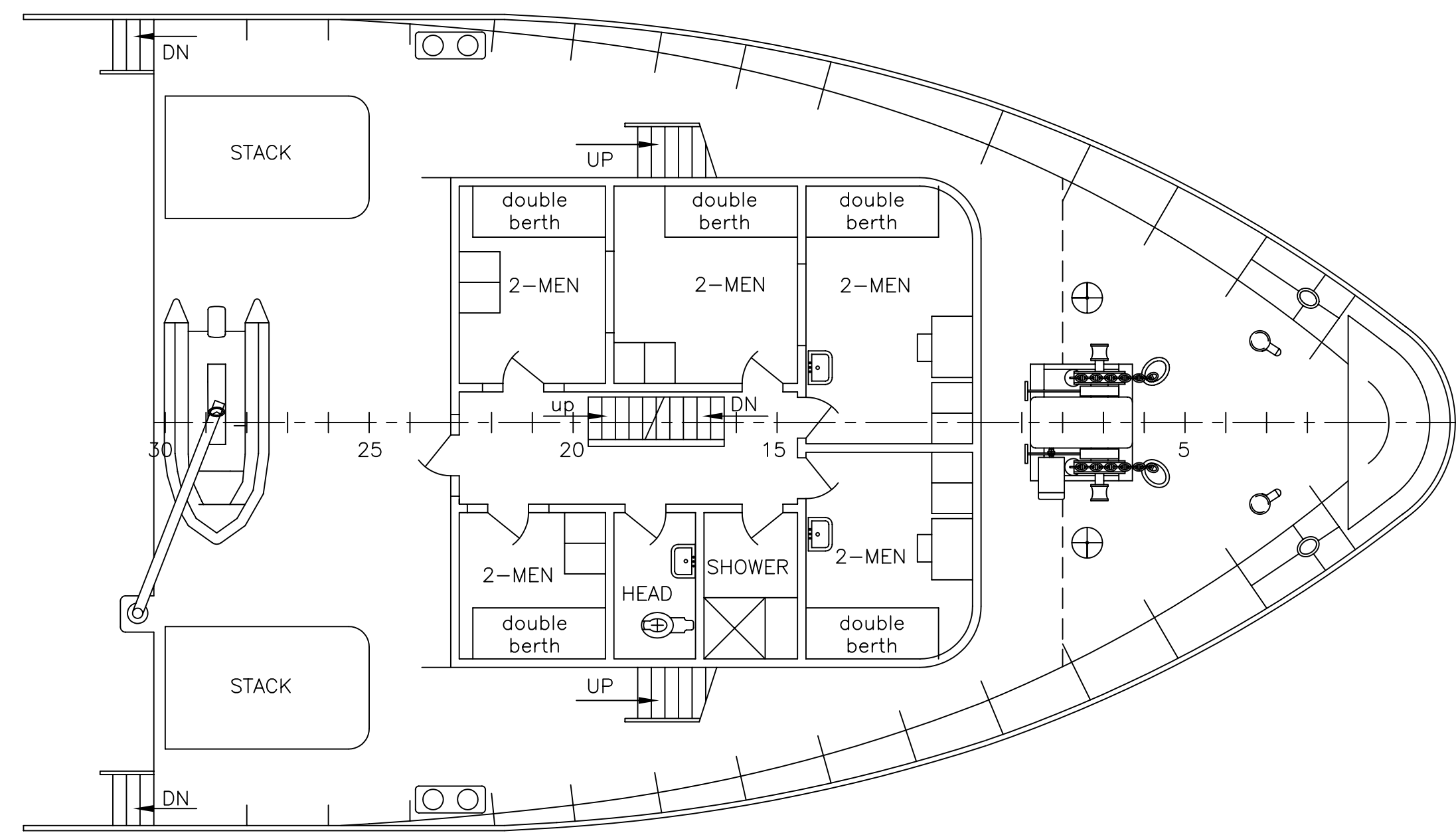


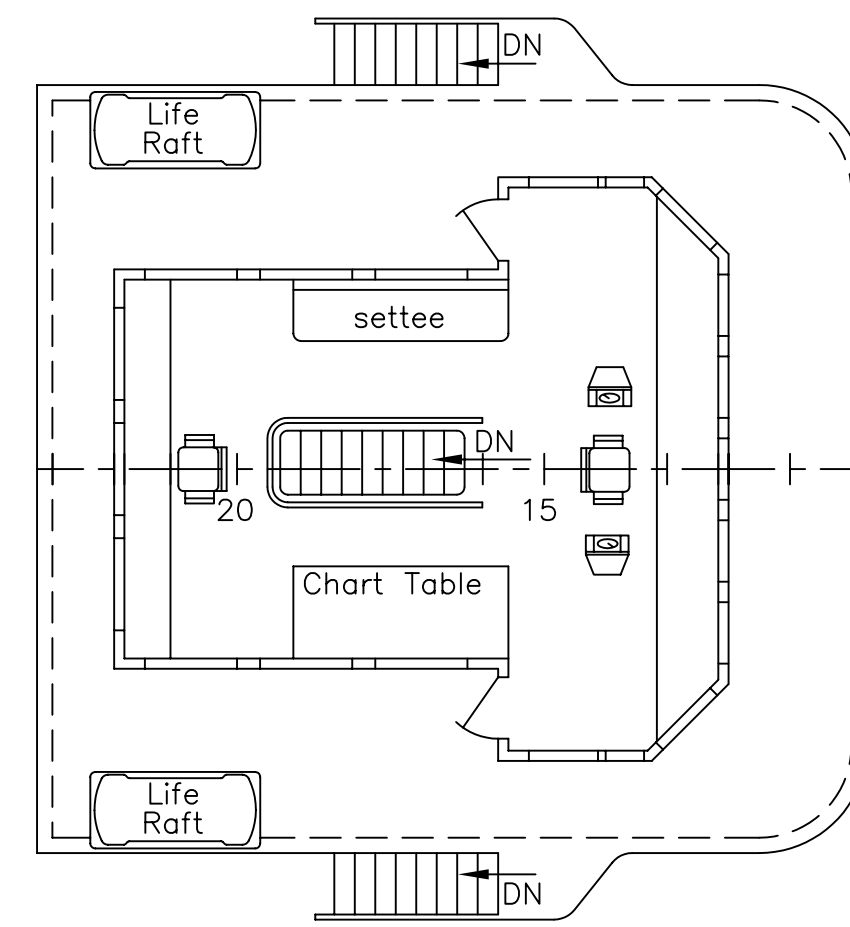
REVISIONS		
REV	DESCRIPTION	DATE



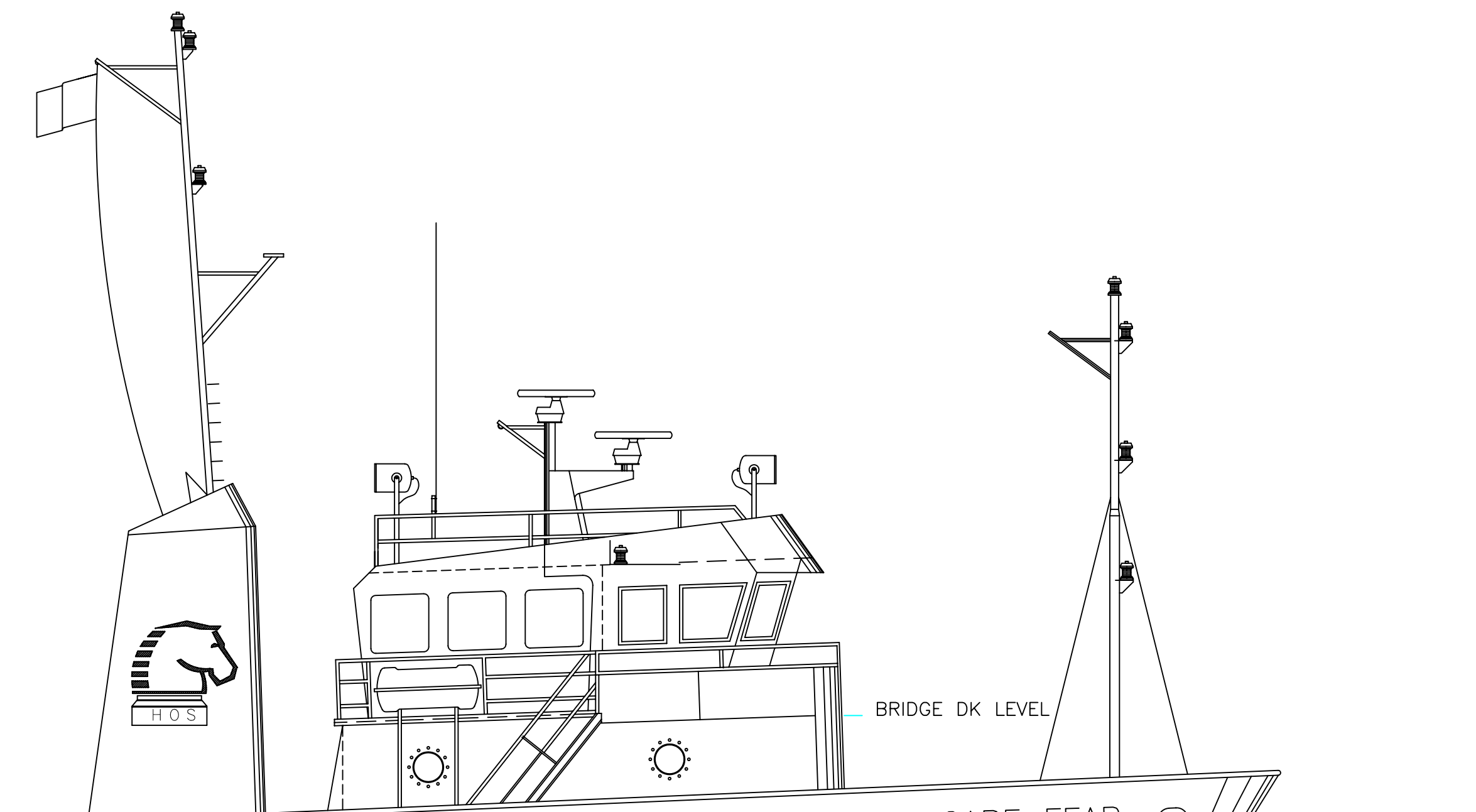
MAIN DECK
14'-0" ABOVE BASELINE



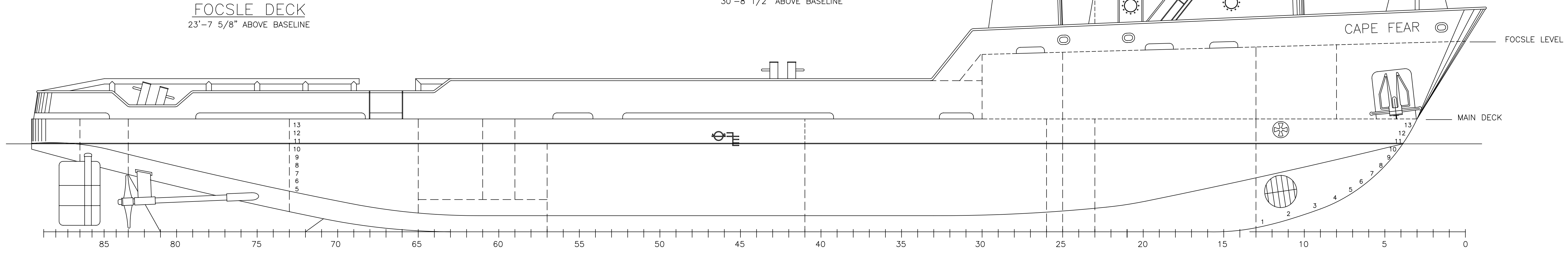
FOCSLE DECK
23'-7 5/8" ABOVE BASELINE




BRIDGE DK LEVEL
30'-8 1/2" ABOVE BASELINE



CAPE FEAR
FOCSLE LEVEL



OUTBOARD PROFILE

 THIS DRAWING, DESIGN CONCEPT AND SPECIFICATIONS ARE THE PROPERTY OF HORNBECK OFFSHORE SERVICES AND ARE FURNISHED ON A CONFIDENTIAL BASIS WITH AN EXPRESSED UNDERSTANDING THAT THEY WILL NOT BE COPIED IN ANY MANNER FOR MANUFACTURE, SOLD, TRANSFERRED, NOR USED TO THE DETRIMENT OF SAID FIRM WITHOUT WRITTEN PERMISSION. 1008 ©			
HORNBECK OFFSHORE SERVICES			
DRAWN BY:	185'-0" x 40'-0" x 14'-0"		
W. Thomas	OSV CAPE FEAR		
CH'KD. BY:	PROFILE & ARRANGEMENT		
S. Arceneaux	SCALE: 1:75	DATE: 09-18-07	REV.
APP'D. BY:		HULL NO. MPM #38	0
PROJECT #	DRAWING # 1.001	SHEET 1 OF 1	